

MISCELATORE DI LINEA AUTOASPIRANTE Mod. FI – MLB INLINE INDUCTOR Mod. FI – MLB



CARATTERISTICHE

Corpo: Ottone

Ugelli: Ottone OT 58

Tubo pescante: PVC spiralato

Conessioni: Flangiate UNI o Ansi

A RICHESTA

Conessioni 4": filettate, scanalate.

Corpo in bronzo o in acciaio inox

Valvola selettiva 0-3%-6%

CHARACTERISTICS

Body: Brass

Nozzles: Brass

Pick-up Pipe: PVC with reinforced spiral

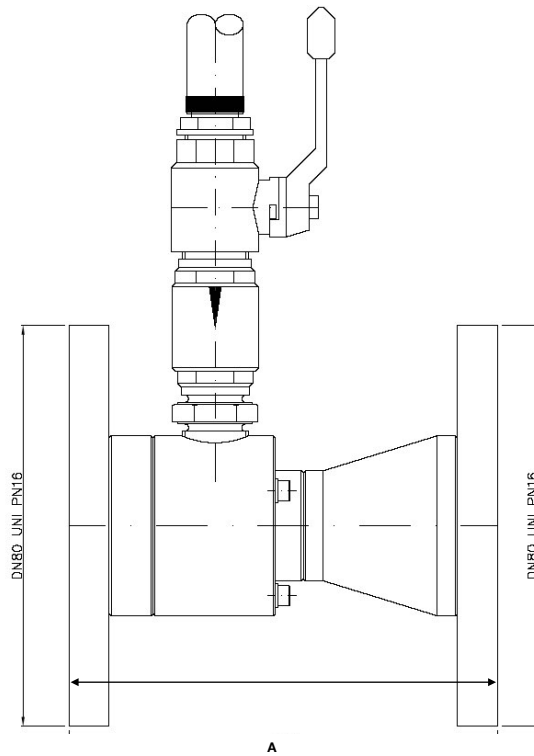
Connections: Flanged UNI or Ansi

ON REQUEST

4" connections : threaded, grooved

Body in bronze or stainless steel

Selectable mixing valve 0-3%-6%



MODELLO MODEL	PORTATA FLOW RATE	MISCELA FOAM MIX	PRESSIONE DI ESERCIZIO WORKING PRESSURE BAR	PERDITA DI CARICO PRESSURE LOSS	A	PESO WEIGHT (Kg.)
FI-MLB-F10-23	1040-1995	3% - 6%	6 - 12	40%	212	15
	1125-2155	3% - 6%	6 - 12	40%	212	15
	1200-2300	3% - 6%	6 - 12	40%	212	15
FI-MLB-F21-41	2015-3545	3% - 6%	6 - 12	40%	275	30
	2275-3830	3% - 6%	6 - 12	40%	275	30
	2430-4095	3% - 6%	6 - 12	40%	275	30
FI-MLB-F40-60	3848-5541	3% - 6%	6 - 12	40%	310	35
	4156-5985	3% - 6%	6 - 12	40%	310	35
	4443-6398	3% - 6%	6 - 12	40%	310	35